

Lifting Limit Switch Anti two Block Switch (A2B)



Description

The tectsis anti two-block Switch **AZK2B** are designed to prevent equipment damage due to the hook block contacting the boom tip on cranes and other lifting equipment. The switch will be actuated via a weight and chain assembly attached to the eyebolt on the steel cable. In normal working condition the switch will be close. If the hook touches the weight (max. allowed lifting height) the electrical circuit will be interrupted. For cable monitoring 2 resistors are installed into the switch.

Features

- Ease of assembly
- Fast commissioning
- OEM and retrofit application
- Spring loaded limit switch

Applications

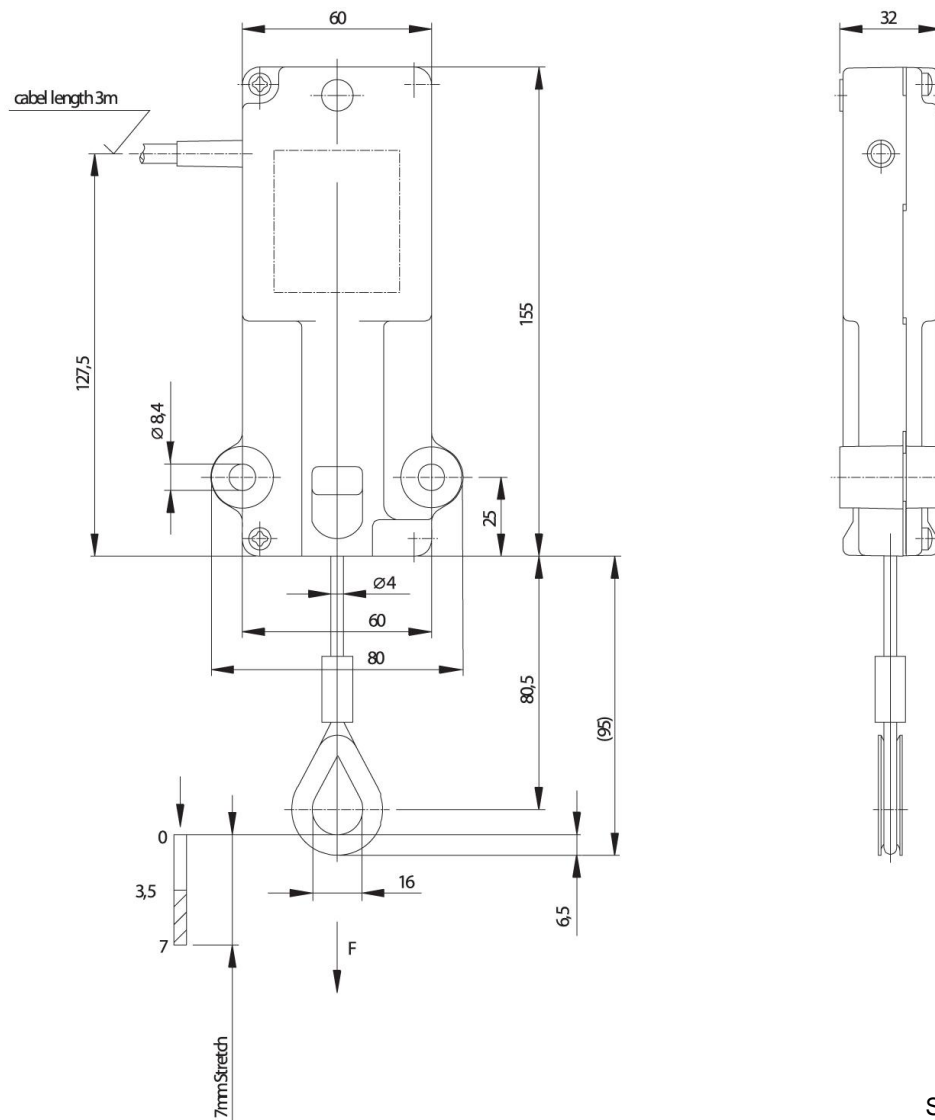
- Hoist protection for cranes
- Hoist protection for drilling machines and any other lifting device

Model: AZK2B

Technical Data

Model	AZK2B Lifting Limit Switch (A2B)
Protection type (acc. to EN 60 529 / IEC 529)	Protection of contacts: IP 65
Switching length	7 mm
Pre-loading of spring	40.4 ± 3.6 N
After 7 mm of spring move	48.5 ± 3.8 N
Connection rating	24 VDC, 1.0A 36 VDC, 0.8A
Operating cycles	10 ⁶
Nominal temperature range	-20 ... +80°C
Service temperature range	-40 ... +80°C
Cable	PETP PVC control cable, shielded, LY12Y PCY OZ 4x1 mm ² , Code 1...4
Cable length	3 m
Material of the housing	Light cast alloy, technical anodized

Dimensions



Subject of technical changes