

Length sensor



Description

The tecsis length sensor can be used where precise data relating to the length of the telescopic boom is necessary.

The number of turns and the diameter of the cable drum define the length of the uncoiled cable. Thus, the telescopic length is measured.

Operating this sensor in an overload protection system, the signal is monitored in a scalable load limiting electronic according to customer needs.

Features

- Ease of assembly
- Fast commissioning
- Exact measuring of the boom
- Compact construction
- Protection type IP 65

Applications

- Overload protection for mobil cranes

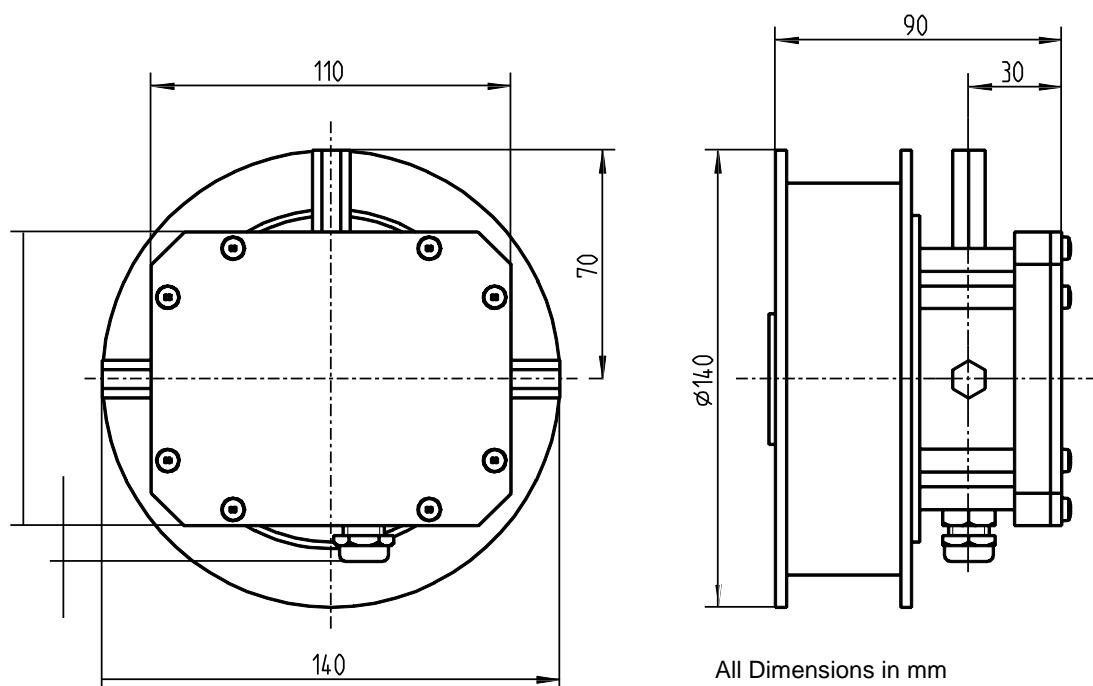
Model: L1101

Technical Data

Model	Length sensor
Transmission ratio	1:3 or 1:3.75
Telescoping length (m)	14
Signal output	4...20 mA
Max. revolutions of pot	10 corresponding 3600 ⁰
Resistance of pot	10 kOhm
Temperature coefficient	70 ppm/K
Service life	10 ⁶ revolutions
Service temperature range	-25 ... +75°C
Storage temperature range	-40 ... +80°C
Protection type (acc. to EN 60 529 / IEC 529)	IP 65
Material of measuring device	Aluminum

CANopen® and CiA® are registered community trade marks of CAN in Automation e.V.

Dimensions



Subject of technical changes