

## Capillar thermometer with clamp

### Housing: plastic

Model T4701 NG 60  
Model T4703 NG 80  
Model T4704 NG 100

### Housing: steel

Model T4710 NG 60  
Model T4713 NG 80  
Model T4717 NG 100



## Description

The housings of this product line are equipped with U-bolts, providing easy and secure panel installation in areas that are subjected to vibration.

Measurements are recorded by the liquid-filled measuring system, which consists of a temperature sensor, a capillary tube and a Bourdon spring. These three components combine to form a closed tube system.

The internal pressure in this system changes depending on the temperature, which causes the pointer axle connected to the spring to rotate and display the temperature value on the scale.

Temperatures of between  $-40^{\circ}\text{C}$  and  $+350^{\circ}\text{C}$  are rapidly and accurately indicated by the closed system.

The capillary tube, which is between 500 and 10000 mm in length, allows measurements to be taken even at measuring points in distant areas.

## Features

- Fast response time
- Measuring point and display in different locations
- Secure installation using U-bolt
- Slimline housing

## Measuring ranges

$-40 \dots 60^{\circ}\text{C}$  to  $0 \dots 400^{\circ}\text{C}$

## Options

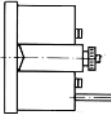
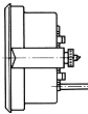
- Measuring range  $^{\circ}\text{F}$ ,  $^{\circ}\text{C}/^{\circ}\text{F}$  (two different scales)

## Applications

Mechanical engineering  
Refrigeration engineering  
Process technology  
Food industry

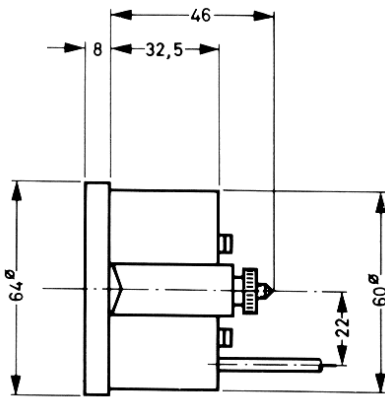
**Model: T4701, T4703, T4704  
T4710, T4713, T4717**

## Technical data

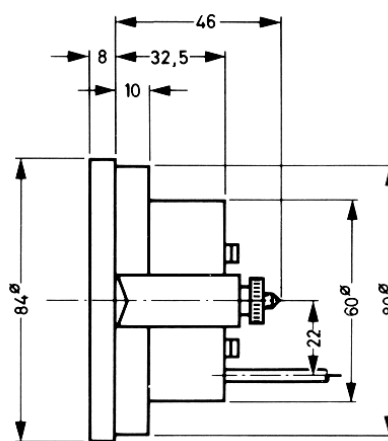
Model	T4701	T4703	T4704	T4710	T4713	T4717
Symbol						
Nominal size	60	80	100	60	80	100
Housing	plastic ABS			steel chromated		
Type of mounting	Panel mounting with clamp, front flange mounting ND 100					
Window	Plastic transparent					
Dial	background white, scale and imprint black					
Pointer	plastic black,					
Scale angle	approx. 270 °					
Measuring ranges and scale division	Measuring ranges		limit of error		scale division	
	in °C		±°C		in °C	
	-40... +40		2		1	
	-40... +60		2		1	
	-30... +50		2		1	
	-20... +60		2		1	
	-20... +80		2		1	
	0... 60		2		1	
	0... 80		2		1	
	0... 100		2		1	
	0... 120		4		2	
0... 160		4		2		
0... 200		4		2		
0... 250		5		5		
0... 300		10		5		
0... 400		10		5		
Display accuracy	± 2 % of measuring range					
Connection capillary	back, excentric,					
Capillary tube	plastic coated or copper braided acc. to measuring range, capillary Cu.-alloy					
Stem	Cu.-alloy					
Filled media	< 350°C Xylol, >350°C silocone oil					
Measuring principle	fliud expansion					
Protection class	IP 54 (EN 60529/ IEC 529)					

## Dimensions

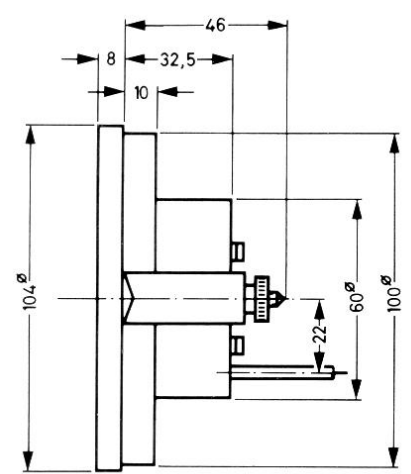
**Model T4701 ND60**



**Model T4703 ND80**

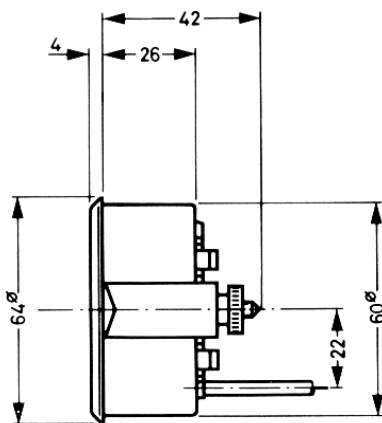


**Model T4704 ND100**

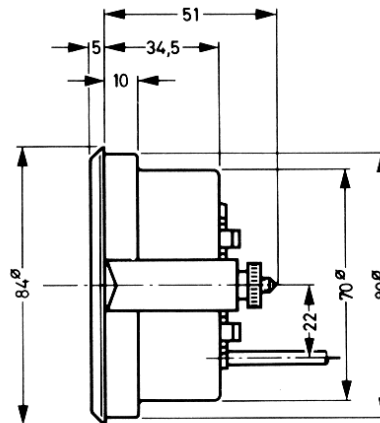


## Housing steel

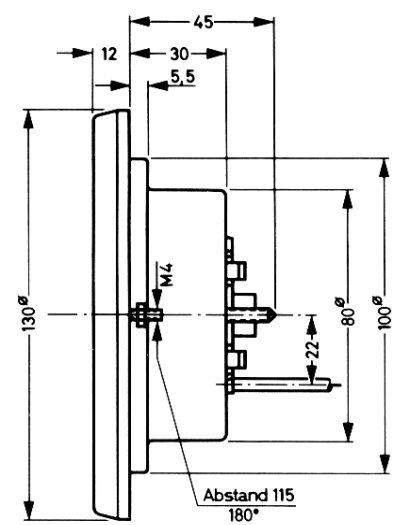
**Model T4710 ND60**



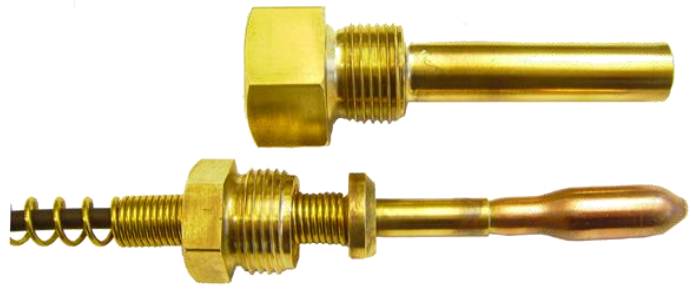
**Model T4713 ND80**


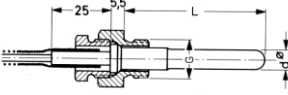
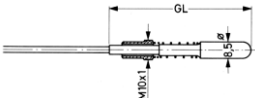


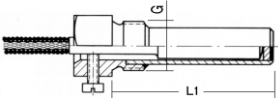
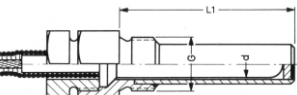
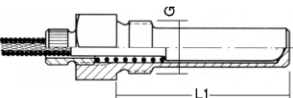
**Model T4717 ND100**



# Stem and thermowells



Stem	plain; without thread	turnable with sealing cone and screwing	turnable with fixation spring
Material	Cu.-alloy	Cu.- alloy	Cu.- alloy
Stem length L	50 mm 75 mm 100 mm 150 mm 175 mm	50 mm 75 mm 100 mm 150 mm 175 mm	75 mm 100 mm 125 mm 175 mm
Stem diameter $\varnothing d$	6 mm 8 mm 8,5 mm 10 mm	6 mm 8 mm 8,5 mm 10 mm	8,5
Dimensions			
Thread G		M14x1,5 M16x1,5 M18x1,5 G 1/4 G 3/8 G 1/2 G 3/4	

Thermowell	multipart jacket for plain sensor fixation	multipart jacket for sensors with sealing cone	multipart jacket for sensors with fixation spring
Material	Cu.- alloy	Cu.- alloy	Cu.- alloy
Immersion length L1	100 mm 150 mm 200 mm	80 mm 100 mm 150 mm 200 mm	32 mm 45 mm 75 mm 100 mm 125 mm
Dimensions			
Thread G	G 3/8 G 1/2	G 3/8 G 1/2 G 3/4 M14x1,5	G 1/4 G 3/8 G 1/2 G 3/4 M18x1,5 5/8"-18 UNF

## Ordering informations

Model / Measuring range / length of capillary tube / stem / options

Subject to technical changes