

Temperature switches

S5100, S6210, S6211, S6250, S6260

Bimetal temperature switch, fixed adjustment
NTC Temperature switch, freely adjustable



Description

Temperature switches are used in signaling, monitoring and controlling of heating, and cooling circuits in machines, compressors and engines.

At fixed bimetal temperature switches, the case transports the temperature to the bimetal-element. At the preset temperature level the bimetal element is switching. The monitored circuit is opened or closed. After reaching a preset safe temperature range the starting position is taken by the temperature switch.

At adjustable bimetal temperature switches the switching point can be adjusted via an adjustment screw at the top of the switch.

Special features

- simple installation
- protection class up to IP 65
- brass case
- switching point adjustment in 10 °C steps

Adjustment ranges

Fixed Switch points from 40°C up to 110°C

Free adjustable from 40...90°C with S5100

Working temperature: -20... +120°C

Applications

- cooling and heating circuits
- compressors
- engines

Model: S5100, S6210, S6211, S6250, S6260

Technical data

Model No.	S6210	S6211	S6250	S6260	S5100
Version Temperature Measuring principal	Switch point at positive temperature Bimetallic				Positive Temp. NTC
Process connection Standard Optional	G1/2 G3/8	with O-ring G1/2 G3/8, M22x1,5	with O-ring G1/2 G3/8, M22x1,5	G1/2 G3/8	with O-ring G1/2
Materials Process connection	brass others on request				brass
Switching outputs Number	1				
Switching function Standard Optional	Normally close (NC) or Normally open (NO) Change over contact (SPDT) ¹⁾				SPDT
Power rating ²⁾ NC/NO 230V AC 125V AC 24V DC 12V DC	10A 15A 5A 10A				- - - -
Power rating ²⁾ SPDT 230V AC 125V AC 24V DC 12V DC	-		0,5 A 3 A 3 A 3 A	- - 1,5 A -	
Supply voltage	-				24 VDC
Adjustment	fixed switch points 40, 50, 60, 70, 80, 90, 100, 110°C other switch points on request				Freely adjustable 40...90 °C
Hysteresis	~12K (~8K SPDT) not adjustable				~5 K increasing possib.
Repeatability ³⁾	± 3.5 K				± 3 K
El. connection	spade terminals 2 x 6,3 x 0,8		Right angled connector DIN EN 175301-803		
Protection class	IP65, connector IP00		IP 65 Option: cable connection IP67/68 with S6250		
Working temp. max.	-20...120°C				-20...100 °C
Working pressure max.	200 bar				100 bar
Weight	app. 0.06 kg	app. 0.10kg	app. 0.17kg	app. 0.20 kg	

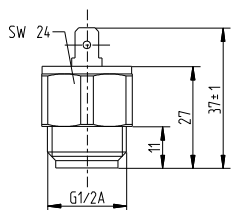
1) only model S6260/S62 60 with the switch points 50/60°C, other on request possible

2) for voltages > 42 regulation for protective means have to be regarded!

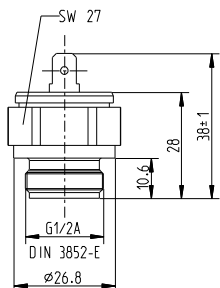
3) the repeatability is valid for processes with slow changes in temperature. Reference value 1 K/min

Dimensions (in mm)

S6210



S6211

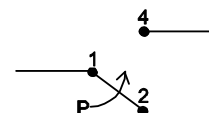
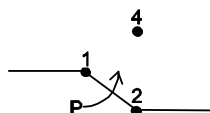


Electrical connection (S6210, S6211)

NC

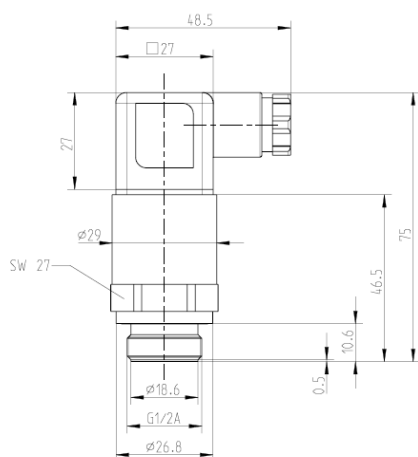


NO

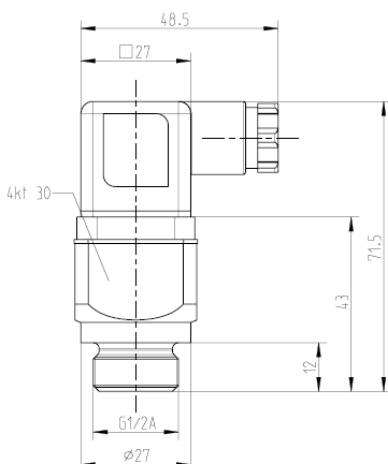


Dimensions (in mm)

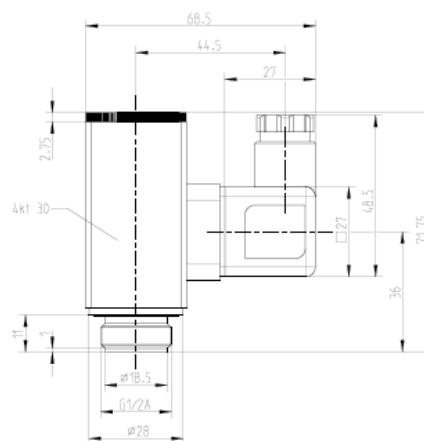
S6250



S6260

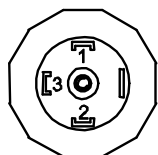


S5100

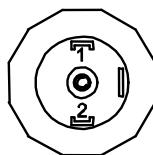


Electrical connection (S5100, S6250, S6260)

SPDT



NC



NO

