

Universal display module with CAN interface

for rugged industrial applications



Description

Display EPS10 is an universal display module with a 5.7" FSTN display. Individual and very cost-effective display solutions are possible. Customer specific versions are available on request.

All display functions, such as character fonts, menu structures, passwords, icons, bitmaps, virtual instrumentation and many more functions can easily be configured.

Features

- Ease of assembly
- Fast commissioning
- Support for various CAN protocols available on request
- Menu driven configuration via PC
- Easily readable, clear plain text display
- Protection type IP65

Applications

- various

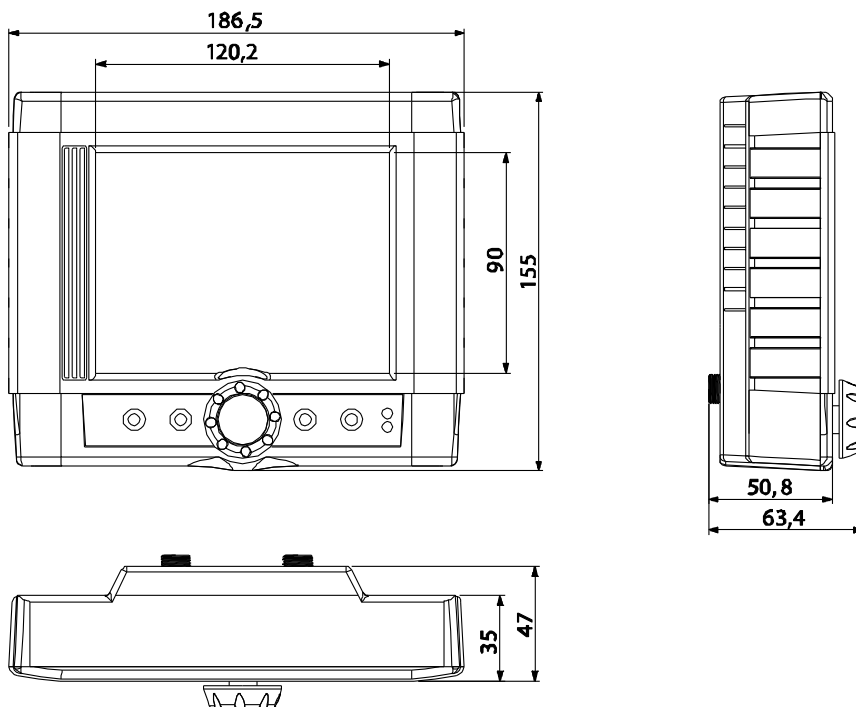
Model: EPS10

Technical data

Model	EPS10
Display dimensions (mm) wdth/height/depth	186,5 x 155 x 47
Display type	5,7" FSTN monochrom
Resolution	320 x 240 pixel (1/4 VGA)
Power supply Voltage DC [V]	10 ... 60 V
Interfaces -CAN -USB -Bluetooth	1 1 (opt.) 1 (opt.)
Temperature range [°C]	-20°C ... +65°C
Processor	16 bit
Memory -Code Flash [Byte] -Data Flash [Byte] -EEPROM [Byte] -SRAM [Byte]	256 K 1 MB 64 K 256 K
Control keys Incremental potentiometer	5 1
Protocols -Layer 2 -CANopen®	available available
Noise emission	acc. to EN 61326
Noise immunity	acc. to EN 61326
Protection type	back side depending on type IP54, IP65 front side IP54

CANopen® and CiA® are registered community trade marks of CAN in Automation e.V.

Dimension



Subject of technical changes