

Differential pressure gauges with Bourdon tube

with copper-alloy measuring system

Nominal size ND 100 and ND 160 mm

Connection position bottom, radial



Description

The pressure gauges are suitable for measuring of liquid and gaseous media, although this may not be to viscous or be susceptible to crystallization.

The two independently indicating Bourdon tube measuring systems work in a steel case.

Both pointers turn around the same axle and give \oplus and \ominus pressure separately.

The pointer of the low-pressure side has the form of a dial. On this dial the pressure difference between the low and high pressure side is given which may not exceed 50% of the full measuring range

Features

- o High reliability and long service life
- o Measuring system in compact design
- o Differential pressure given on inner dial
- o Accuracy class 1.6
- o Static pressure indicated for both sides
- o Measuring system copper- alloy
- o Dual scale bar / mWS

Ranges


0 ... 0.6 bar to 0 ... 400 bar

Applications

Industrial heaters,
Filter monitoring,
Water-recycling plant

Models : P2630, P2635

Technical data

Models	P2630 ³⁾	P2635	Options
Nominal size	100	160	
Type			
Measuring system	two independently indicating Bourdon tube measuring systems 1,6 to EN 837-1		
Accuracy class	1.6 to EN 837-1		
Version	standard		
Ranges 1)	0 ... 0.6 bar to 0 ... 400 bar negative or positive or negative and positive gauge pressure		
Application	Constant load : up to full scale value Alternating load : 0.9 x full scale value shortly : 1.3 x overloadable		
Case ³⁾	steel, black finished without blow-out disc on top		Back flange
Bezel	steel, black finished		Front flange
Window	Glass lens		Laminated safety glass
Dial	Aluminium white, scale and printing black, dual scale bar /mWS		
Pointer	(+) Standard pointer : Aluminium, black (-) Pointer scale : Aluminium, white, scaled $\pm 50\%$ of main scale range as (+) and (-) differential pressure display		Marker pointer
Movement	Cu- alloy, wear parts nickel silver		
Measuring element	< 100 bar : Copper alloy ≥ 100 bar : Stainless steel 1.4571 < 100 bar C - Bourdon tube, ≥ 100 bar helical tube		
Connection - position - thread	Copper-alloy bottom radial, parallel entry 2x G 1/2 B		Other threads on request
Temperatures - medium: - ambient :	Tmin. -20°C, Tmax. 60°C ²⁾ Tmin. -20°C, Tmax. 60°C		
Temperature drift	0.4 % /10K deviation of normal temperature +20°C		
Protection	IP 33 to DIN 40 050 (EN 60 529 / IEC 529)		
Throttle	without		Brass $\varnothing 0.4$; $\varnothing 0.8$
Weight approx.	1.0 kg	1.6 kg	

1) Scale range must be selected in consideration of the highest static pressure applied!

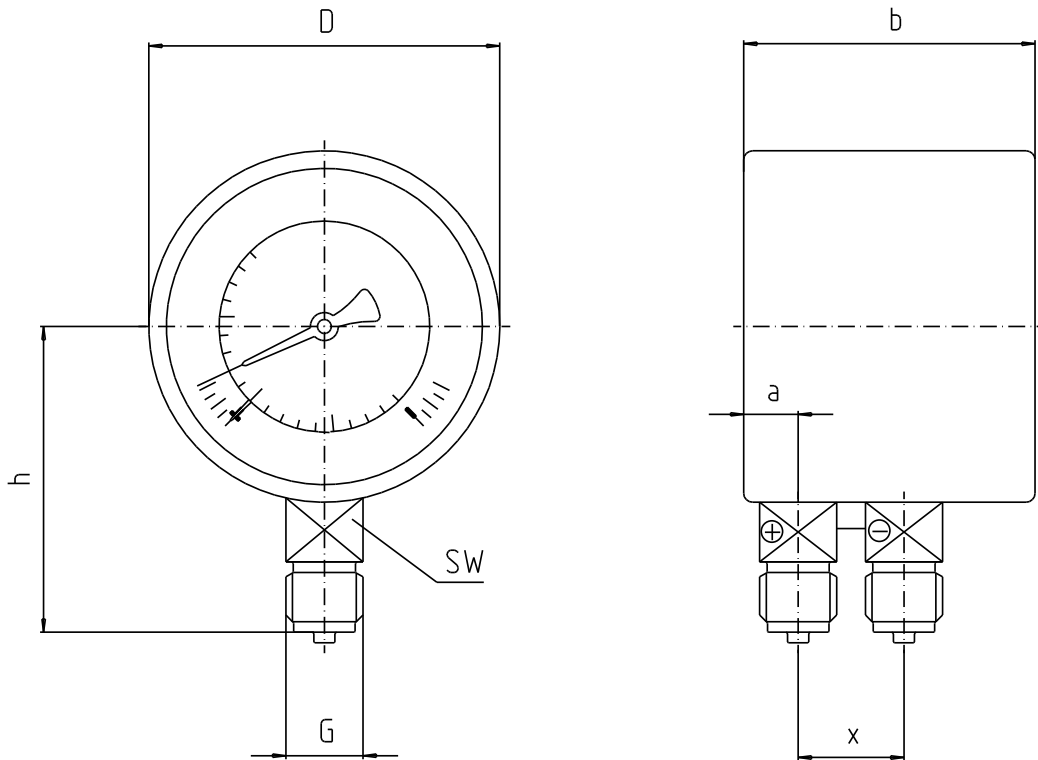
In heating circuits with circulating pumps the total pressure is calculated pressure given by the pump plus the water column. above. The pressure differential to be indicated should be no less than 1/6 of the full scale range.

When ordering please state both: a) static pressure applied
b) differential pressure to be indicated

2) Tmax. +100°C brazed

3) As filled version: model P2632 – case steel, black

Dimension



Connection socket \oplus : Pointer at the head

Connection socket \ominus : Pointer below with dial

Model	Dimensions (mm)							
	ND	a ± 0.5	b ± 0.5	x ± 0.5	D ± 0.5	G	h ± 1	SW
P2630	100	15.5	82	32	100	G 1/2 B	87	22
P2635	160	15.5	86.5	32	160	G 1/2 B	118	22

Subject to technical changes