

Manual pressure pumps

for up to 250 bar
for up to 1000 bar
for up to 3000 bar



Description

Manual pressure pumps are portable pressure generators which can be used simply and quickly for measuring, testing or calibration purposes due to their low weight and simple handling. Used together with a DKD calibrated pressure transducer with display, such systems are ideal for the on-site monitoring of pressure sensors and transducers for measuring and test equipment according to DIN ISO 9000.

Pressure up to 3000 bar is generated easily and without great physical effort using a hand-operated spindle. The spindle cannot be unscrewed from the pump case, thus enhancing the functionality in service.

These features make the manual pressure pumps excellent service systems.

The pressure pump is fitted with 1 cylinder for the pressure range 0 ... 250 bar. On the 0 ... 1000 bar and 0 ... 3000 bar version, pressure is generated in 2 cylinders (0 ... 250 bar and then 250 ... 1000 bar or 0 ... 250 bar and then 250 ... 3000 bar).

Special features

- Pressure range up to 250 bar, up to 1000 bar or up to 3000 bar
- Pressure can be finely adjusted by altering the volume at the distributor block
- Dual cylinder system provides easy action
- Low weight and compact design makes system portable

Applications

On-site monitoring of measuring systems

Calibration systems

Work shop or laboratory

* Photo with accessories

Test gauge and pressure gauge

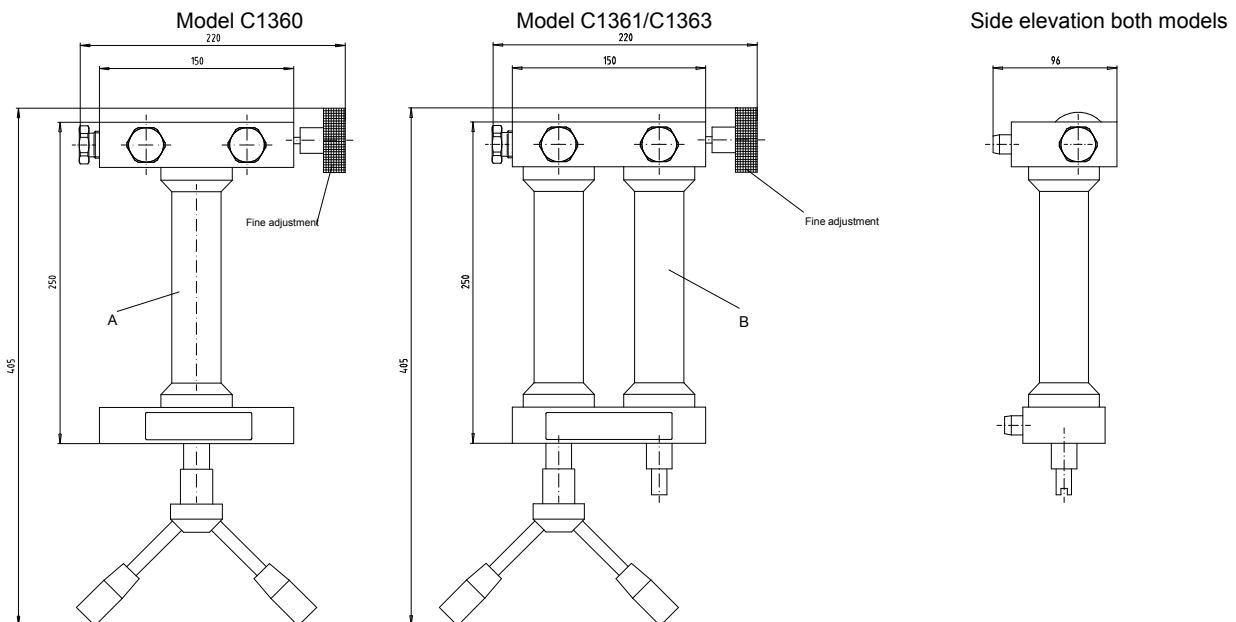
Quick coupling and adaptor for pressure gauge

Models: C1360, C1361, C1363

Technical data

Model	C1360	C1361	C1363	Option
Principle	one piston manual spindle pump	double piston manual spindle pump		
Pressure ranges	0 ... 250 bar	0 ... 1000bar low pressure piston: 0...250 bar, high pressure piston: 250...1000 bar	0...3000 bar low pressure piston: 0...250 bar high pressure piston: 250...3000 bar	
Overload limit	up to 300 bar	up to 1300 bar	up to 3300 bar	
Pressure generation	by hand spindle	spider, connection changable		
Fine adjustment	by adjustable volume		-	
Filling medium	hydraulic-oil Univiss J13		Univiss J13 / SAEW 15	water, brake liquid, skydrol
Operating temperature	-20 ... 80° C			
Connections	3 x G1/2 internal threads acc. to DIN 16288		3 x M16 x 1,5 LH internal threads	adaptor and angle connector
Dimensions (LxBxH) mm	250 x 150 x 96	250 x 150 x 96	400 x 370 x 110	
Weight Pump Hand spindle	5,9 kg 0,5 kg	7,8 kg 0,5 kg	12,5 kg 0,5 kg	

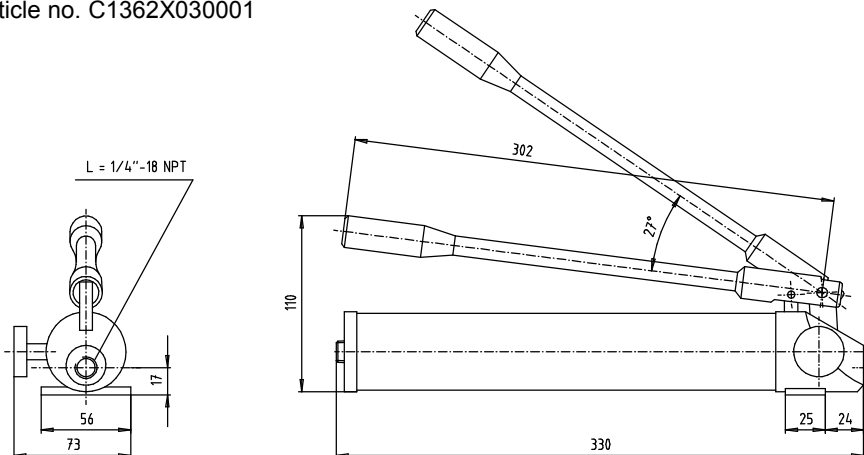
Dimensions (mm)



Accessories for filling, model C1360 / C1361

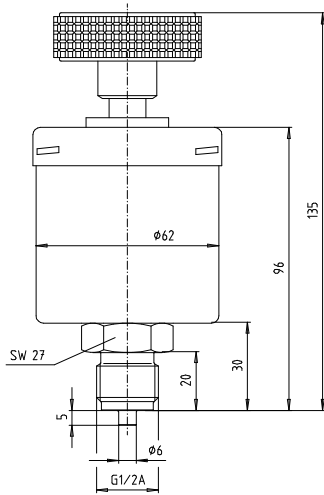
Supply pressure pump with shut-off valve

Article no. C1362X030001

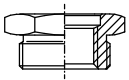


Separate tank for filling liquid

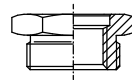
Article no. C1362X030002



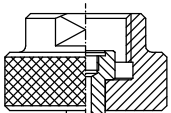
Connections for model C1360 /C1361



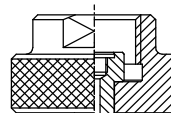
Adaptor



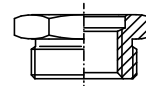
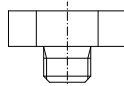
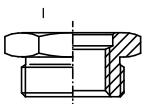
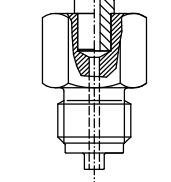
Adaptor



Quick coupling 90° for pressure gauge
Article no. C1362X000001



Quick coupling straight
Article no. C1362X000002



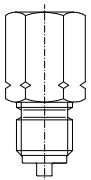
Adaptor:
G1/2 Article no.: C1362X010001
M20x1.5 Article no.:
C1362X010002

Intermediate adaptor:
Article no.: C1362X020001
Must be used with adapter ≤ G1/4 etc.

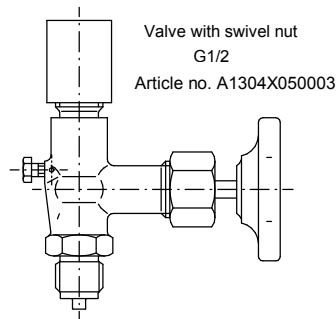
Adaptor:
G1/4 Article no.: C1362X010004
G1/8 Article no.: C1362X010003
M16x1.5 Article no.: C1362X010005

Connections for model C1360

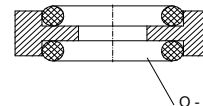
(max. PN 400 bar)



Pirot and swivel nut
G 1/2
Article no. C1362X000010



Valve with swivel nut
G1/2
Article no. A1304X050003



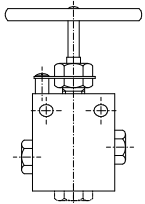
Sealing element for G1/2
and M20x1.5
Article no. C1362X020002

O - Ring D12,8 x 2

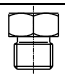
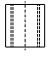

Accessories for model C1363

High pressure valves	see table 1
Accessories for high pressure valves	see table 2
Spezial hydraulik oil Univiss J13 / 1 litre	C1350X150008
Connection with 2x M16x1,5 LH/RH	C1363X120006

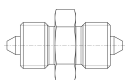
High pressure valves, table 1

	Style	Thread	PN bar	Material	Article-no.
	2 - way	9/16"-18 UNF female	2100	stainless steel	A1304X075001
			4200		A1304X075002
			6700		A1304X075003
	3 - way		2100		A1304X075030
			4200		A1304X075031
			6700		A1304X075032

Accessories for high pressure valves, table 2

	Articles	Thread	PN bar	Material	Article-no.
	gland	9/16"-18 UNF	4200	stainless steel	A1304X076001
		M16x1,5			A1304X076002
		9/16"-18 UNF	6700		A1304X076003
	collar	9/16"-18 UNF	4200		A1304X076030
		M16x1,5	6700		A1304X076031
		9/16"-18 UNF			A1304X076032
	plug	9/16"-18 UNF	4200	A1304X076060	
		9/16"-18 UNF	6700	A1304X076061	

Accessories only for C1363

	connection with pressure piece	M16 x 1,5 LH/RH	3300	stainless steel	A1363X120006
---	--------------------------------	-----------------	------	-----------------	---------------------

Subject to technical changes