

OEM Pressure sensor for Medical Gases Model P3303

Standard output: 4...20 mA; 2- wire technology
or 0...5 VDC; 3- wire technology
or 1...5 VDC; 3- wire technology
or 0...10 VDC; 3- wire technology
or 0,5...4,5 VDC; 3- wire technology



Description

Robust and long-term stability in use are the strengths of this compact pressure sensor intended for medical technology. By virtue of its technical specification and attractive price level, the sensor is ideally suitable for OEM applications with medical gases.

The international standards with regard to oxygen cleaning are fulfilled. Parts in contact with measuring media are of stainless steel. The compact design allows space and weight-saving installation.

Through a multitude of electrical and mechanical process connections it offers an optimal solution for almost any application.

The pressure sensors are conformant to electromagnetic compatibility (EMC) standard EN 61326.

Features

- Cleaning to ISO DIN15001
- Cleaning to ASTM Level D/E
- Cleaning to ASTM Level C
- Measuring-media-contacting parts of stainless steel

Measuring ranges

0...6 bar to 0...400 bar

Applications

Distribution of medical gases
Emergency units
Medical gases

Model: P3303

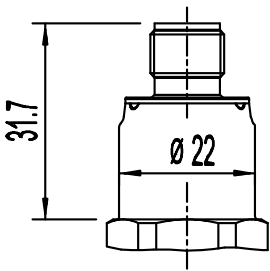
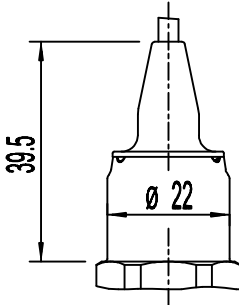
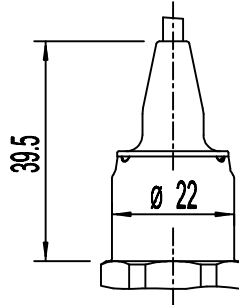
Technical data

Model	P3303						Option
Pressure type	positive gauge pressure						
- Ranges [bar]	0...6	0...10	0...16	0...200	0...300	0...400	others on request
- Overrange limit [bar]	20	20	32	500	800	800	
- Burst pressure [bar]	25	25	160	1200	1700	1700	
Output signal	4...20 mA 2- wire technology 0...5 VDC 3- wire technology 1...5 VDC 3- wire technology 0...10 VDC 3- wire technology 0,5...4,5 VDC ratio. 3- wire technology						
Accuracy	$\leq \pm 2,0\%$ of measurement span ¹⁾						
Non-linearity	$\leq \pm 0,5\%$ of measurement span						
Material	316L						
Case	316L						
Wetted parts	316L						
Electrical connection	PBT GF 30						
Pressure connection	G1/4 B acc. EN 837 G1/4 A acc. DIN 3852-E 1/4 NPT						
Level of cleanliness	Measuring range <30 bar			Measuring range > 30 bar			
- Breathing gas Residual hydrocarbons	free from oil and grease <1000 mg/m ²			free from oil and grease <1000 mg/m ²			
- Medical standard Residual hydrocarbons Particle size	acc. ISO 15001 <550 mg/m ² not applicable			acc. ISO 15001 <220 mg/m ² on request			
- Industrial standard - Residual hydrocarbons	free from oil and grease for oxygen acc. ASTM Level D/E DIN 19247 <550 mg/m ²			free from oil and grease for oxygen acc. ASTM Level D/E DIN 19247 <220 mg/m ²			
- High industrial standard - Residual hydrocarbons	free from oil and grease for oxygen acc. ASTM Level C <66 mg/m ²			free from oil and grease for oxygen acc. ASTM Level C <66 mg/m ²			
Electrical connection	Round plug connector M12x1 (4-polig) (IP 67) Cable outlet 2m (IP67) Cable outlet 2m (IP67) shielded						others on request
Power supply / resistance	Power supply	Permissible max. resistance R _A					
- 4...20 mA	8...30 VDC	R _A ≤ (U _B - 7V) / 0,02 A					
- 0...5 VDC	8...30 VDC	R _A > 5 kOhm					
- 1...5 VDC	8...30 VDC	R _A > 5 kOhm					
- 0...10 VDC	14...30 VDC	R _A > 10 kOhm					
- 0,5...4,5 VDC ratiom.	5 ± 0,5V	R _A > 4,5 kOhm					
Pressure setting time	≤ 2 ms inside of 10% bis 90% of measurement span						
Resilience	40 g (6 ms) acc. IEC 60068-2-27						
- Shock (mechanical)	20 g (20...2000 Hz, 120 min.) acc. IEC 60068-2-6 (under resonance)						
- Vibration							
CE conformity EMC directive	2004/108/EG, according to EN 61326 transient emissions (group 1, class B) and interference resistance (industrial range)						
Packing	Sealed plastic bag, Process connection with protective cap						
- Standard	Double sealed plastic bag (option)						
- Stricter requirement	Process connection with protective cap						
- Free of oil and grease							
Electrical protections	Sig+ against 0V						
- Short-circuit strength	U _{B+} against 0V						
- Polarity protection							
Temperature influence	≤2% in the compensated region						
- Zero point/Span							
Temperature ranges	-20...70°C						
- Compensated range	-25...80°C						
- Storage							
Weight	~ 0,08						

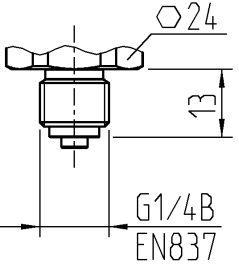
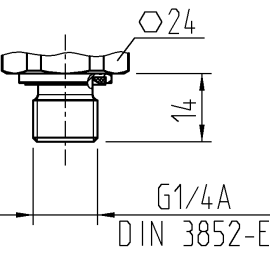
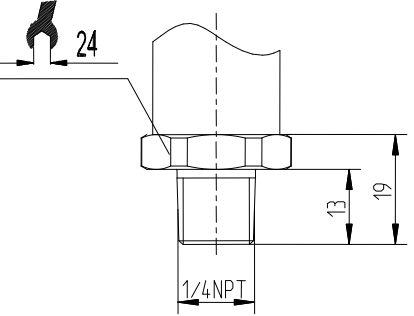
¹⁾ Incl. non-linearity, hysteresis, zero point- and full scale value-variations (conform to measurement-variations acc. to IEC 61298-2)

Dimensions (mm)

Case

Round plug connector M12x1	Cable outlet	Cable outlet shielded
		

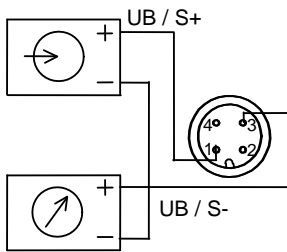
Pressure connections

G $\frac{1}{4}$ B EN837	G $\frac{1}{4}$ DIN 3852-E	1/4 NPT
		

Electrical connections

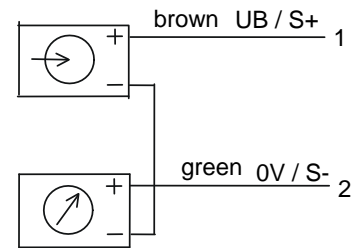
Two-wire system

Round plug connector M12x1



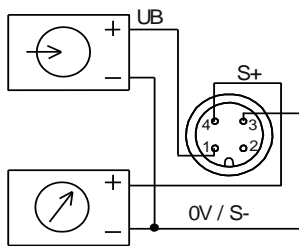
E-033

Cable outlet

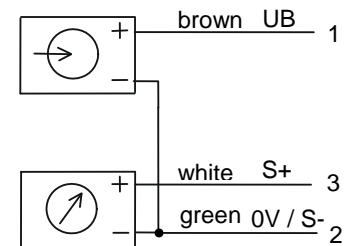


Three-wire system

Round plug connector M12x1



Cable outlet



Order details

1. Model
2. Measuring range
3. Output signal
4. Options

Modifications reserved