

Clamp-On-Sensor F9204

With inline amplifier



Description

The clamp-on-sensor have been specially designed to measure the load on existing steel cables. The force transducer is made of alloyed steel with a rust resistant finish.

The mission of this force sensor is simple, robust and cost-effectively monitors cable forces. This requires a cable anchor point, because the measurement is taken at the stationary rope. For this purpose, the transducer is clamped in a few steps to the assembled cable.

Features

- Specially designed for overload protection and for measuring tension of wire ropes
- Incl. Inline amplifier
- Suitable for retrofits
- Material of alloyed steel with Nickel-containing anti-rust treatment
- IP66

Ranges

- 1 t to 15 t
(cable diameter 7 ... 32 mm)

Applications

- Overload protection for example of cranes or Storage and retrieval devices
- Measurement of cable tensions

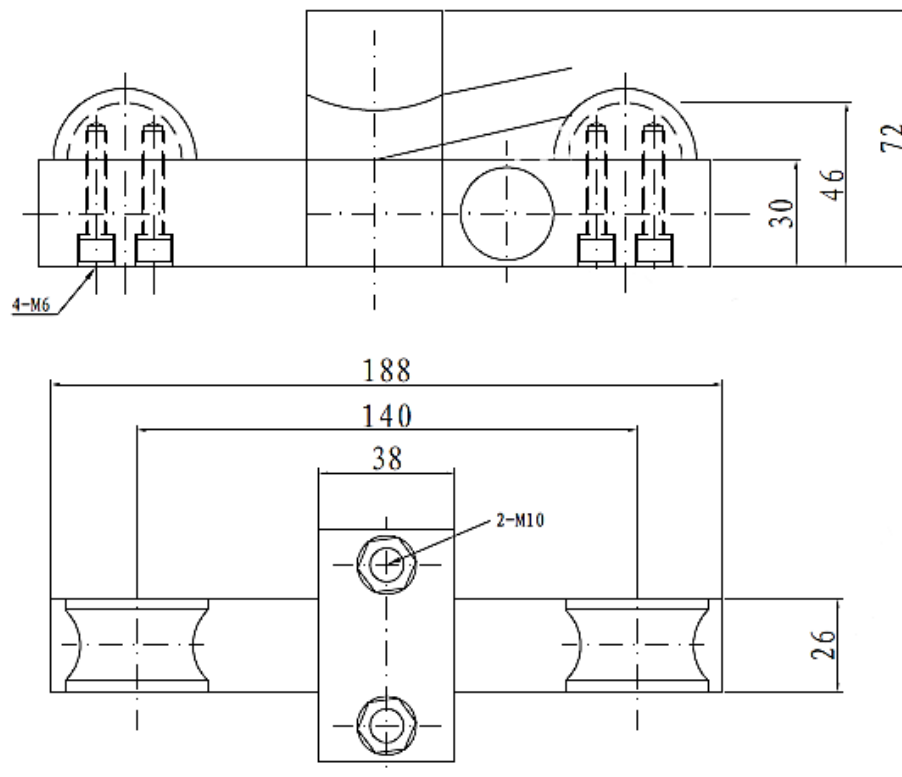
Model: F9204

Technical Data

Model	F9204
Nominal load F_{nom}	1...15 t
Combined error in the application	$\pm 3\%$ FS
Rope diameter	7...32 mm
Limit load	200%
Breaking load	500%
Nominal temperature range	-30 ... +80°C
Service temperature range	-30 ... +80°C
Temperature effect	
- span	<0.03%/5°C FS
- zero signal	<0.03%/5°C FS
Isolationwiderstand	>5000 M Ω
Analogue output	
- Output signal	4 ... 20 mA
- Power requirement	12 ... 24 VDC
Electrical connection	- Excit +: red wire - Excit. -, Signal +: black wire
Protection type (acc. to EN 60 529/IEC 529)	IP66
Material of measuring device	- alloyed steel with nickel-containing anti-rust treatment
Cable length	approx. 2 m

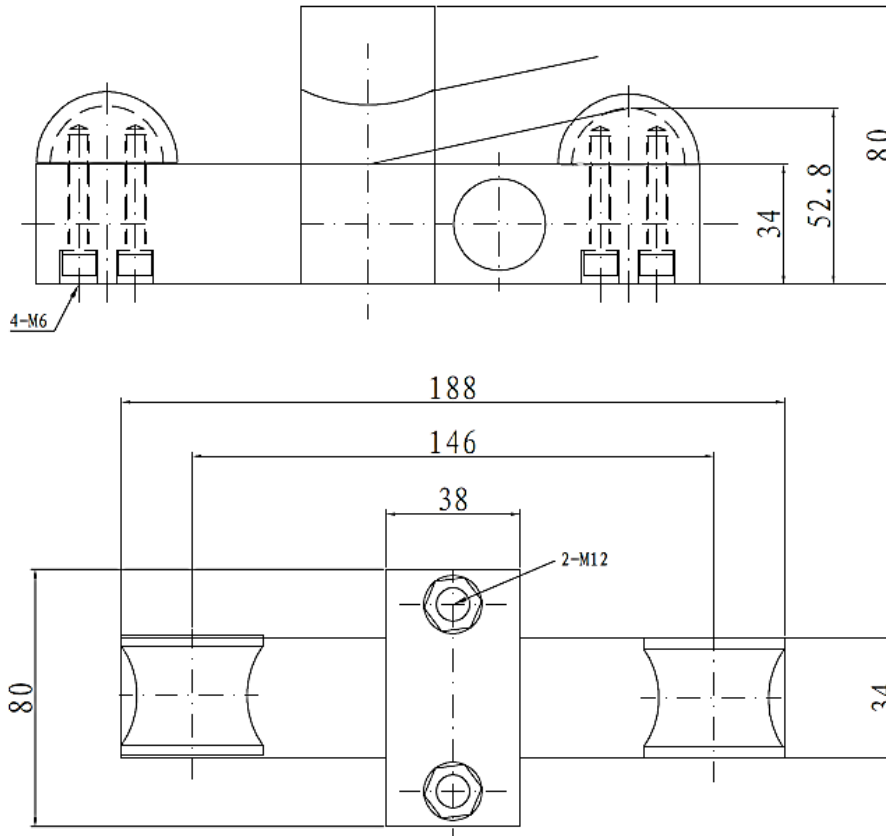
FS = of full scale

Dimensions 1 t and 3.5 t clamp-on-sensor

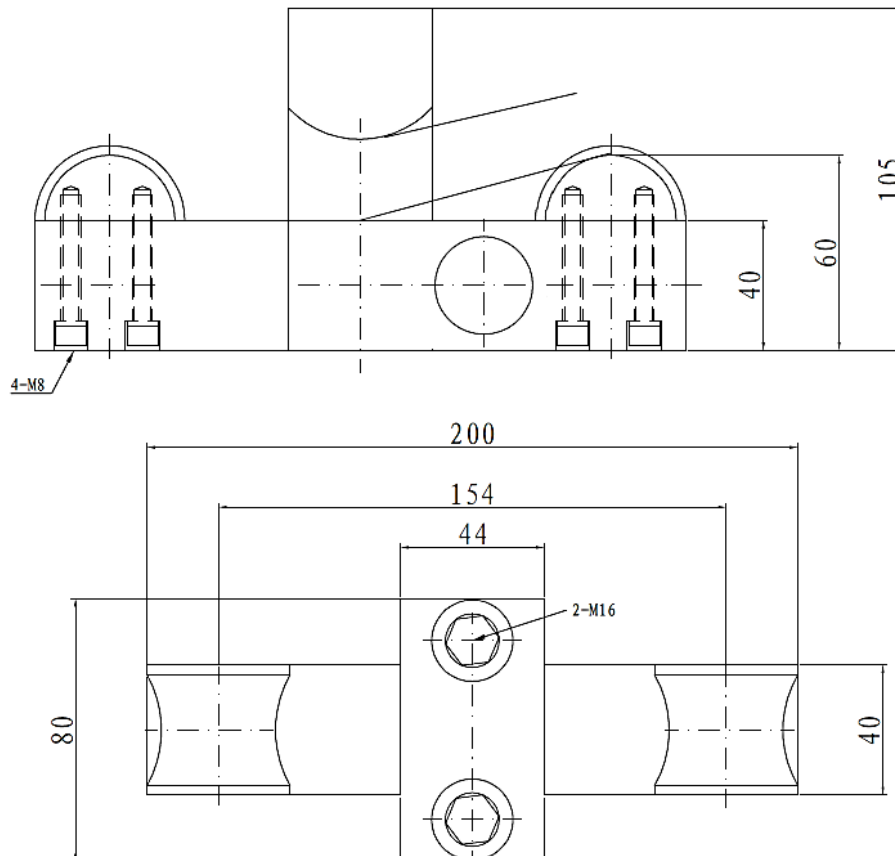


Dimensions in mm

Dimensions 7 t clamp-on-sensor



Dimensions 15 t clamp-on-sensor



Dimensions in mm

Subject of technical changes